



# Dual-chamber vertical baler

IBV1320D

Designed for the baling of your recyclable materials such as cardboard, plastic, metal, etc.

## BENEFITS

- ✓ Reduces the amount of transported waste
- ✓ Minimizes handling time
- ✓ Lowers transportation costs
- ✓ Clean, well-kept facilities promote good-neighborliness
- ✓ Reduces fire risks
- ✓ Decreases transport-related greenhouse gas emissions
- ✓ Meets the expectations of your eco-friendly employees and clients
- ✓ Enhancement of environmental awareness and responsibility improves corporate image



## Ideal for

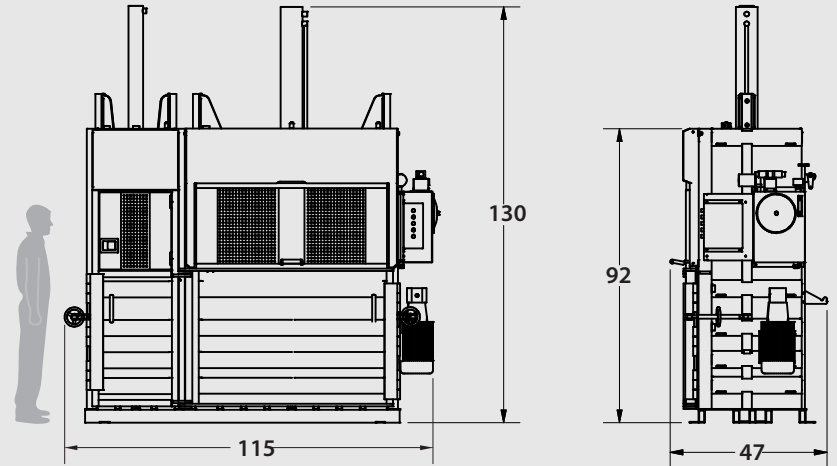
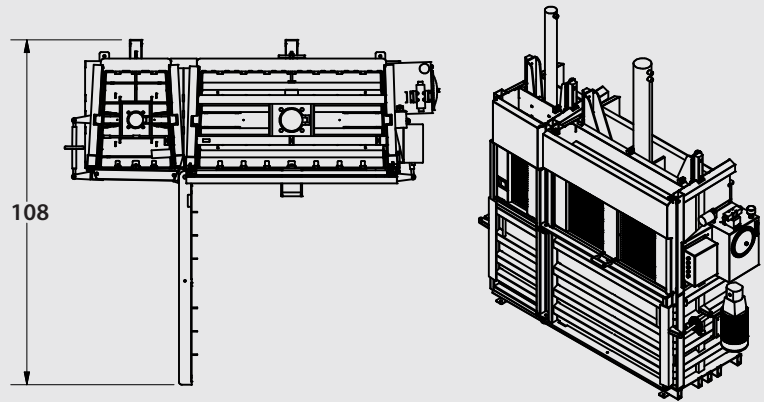


200, rue François-Bourgeois, Victoriaville (Québec) G6T 2G8  
Tel.: (514) 752-9222 & (819) 752-9222 ✦ Fax: (819) 752-9223  
info@industek.ca ✦ www.industek.ca



# Dual-chamber vertical baler

## IBV1320D



### Control Panel

- Smart-relay semi-automatic system
- Compaction/ejection selector switch
- Secure door and panel
- Reset button
- Emergency stop button
- Green indicator light
- Bale ready red light
- On/Off Key switch

### Hydraulic unit

- Motor: 10 hp, 1800 rpm, 208/230/430/600 V 3-phase
- Pump: 9 GPM
- Operating pressure: 1800 psi
- Maximum pressure: 2100 psi
- Suction strainer
- 10-micron filter
- Temperature and oil level indicator

### Design

- Unit walls: 3/16" with c-profile structure framing
- Unit floor: 1/4" with c-profile structure framing
- Plate Ram: 1/4" with c-frame structure
- Nylatron and UHMW-plate ram guidance
- One 6" diameter industrial cylinder for the large chamber
- One 4" diameter industrial cylinder for the small chamber
- Door plate with 1/4" C-frame structure
- Heavy-duty large wheel lock
- Sliding closure panel with counterweights
- Perforated front opening

### Performance and dimensions

Unit overall dimensions	115" L x 47" P x 130" H	
Unit weight	5700 lbs	
	<b>Large chamber</b>	<b>Small chamber</b>
Bale size	60" L x 30" P x 42" H	24" L x 30" P x 42" H
Bale approximate weight	1000 lbs of cardboard	375 lbs of cardboard
Feed opening	60" x 25"	24" x 25" po
Maximum force	59400 lbf	26400 lbf
Operating force	50900 lbf	22600 lbf
Operating pressure	28 psi	37 psi
Cycle time	58 sec.	26 sec.