

FUNCTION

BALING OF YOUR RECYCLABLE MATERIALS

- CARDBOARD
- PLASTIC
- METAL
- ETC.

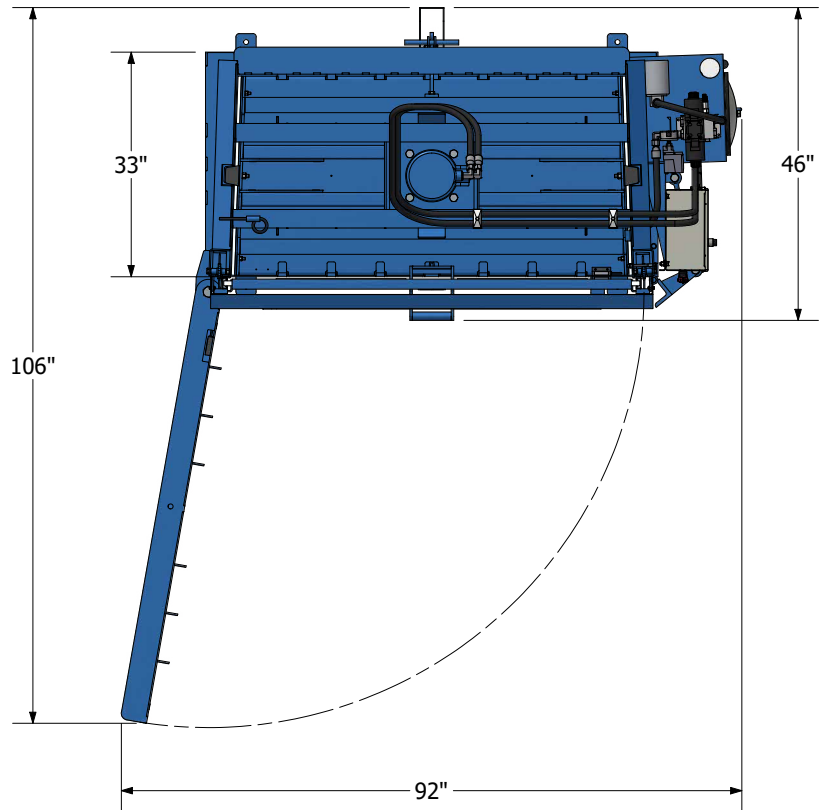
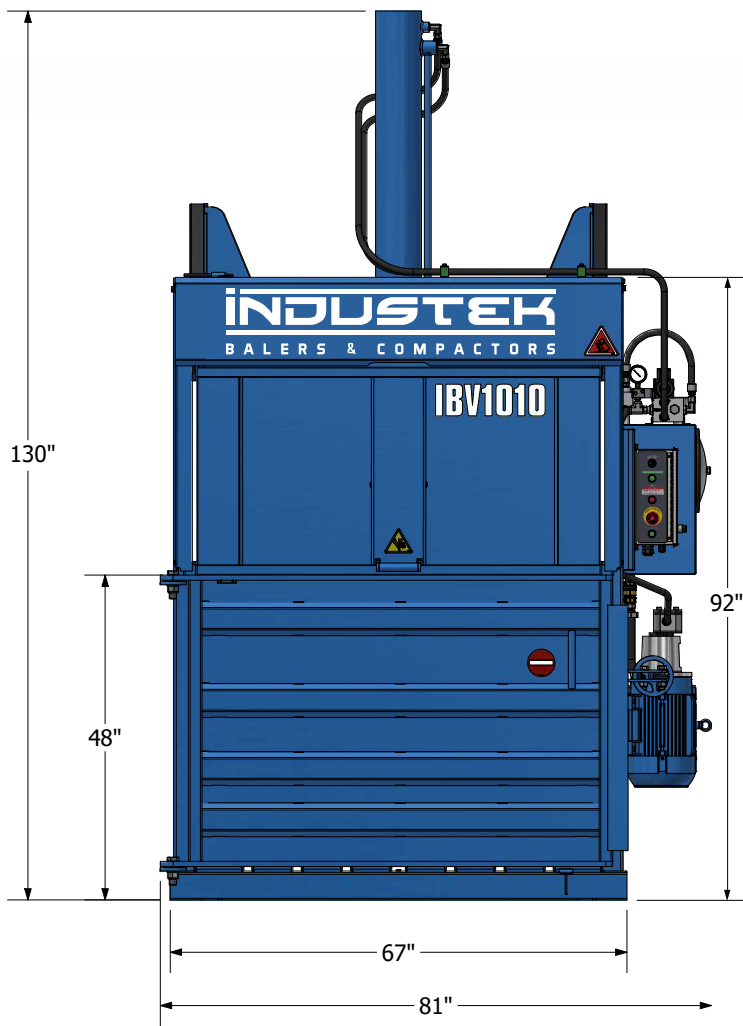
BENEFITS

- Reduces the amount of transported waste
- Minimizes handling time
- Lowers transportation costs
- Clean, well-kept facilities promote good-neighborliness
- Reduces fire risks
- Decreases transport-related greenhouse gas emissions
- Meets the expectations of your eco-friendly employees and clients
- Enhancement of environmental awareness



VERTICAL BALER

IBV1010



Unit overall dimensions	81" W x 46" D x 130" H
Unit weight	3 900 lb
Maximum force	59 400 lb
Operating force	50 900 lb
Operating pressure	28 psi
Motor	10 Hp 1800 rpm 600 v
Pump	9 GPM
Operating pressure	1 800 psi
Maximum pressure	2 100 psi



Cycle time
58 sec



Feed opening
60" x 25"



Bale size
60" W x 30" D x 42" H



Bale approximate weight
1 000 lb



Waste type
Cardboard and plastic

Industek reserves the right to update or modify some of the specifications included in this document, in order to improve product performance.

1 844 352-9222 • industek.com