

## FUNCTION

### BALING OF YOUR RECYCLABLE MATERIALS

- CARDBOARD
- PLASTIC
- METAL
- ETC.

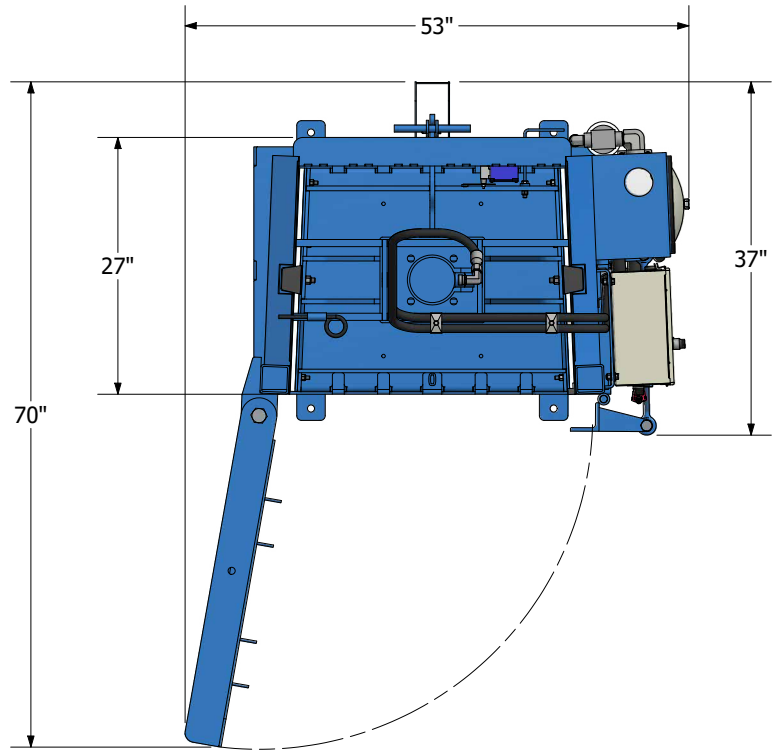
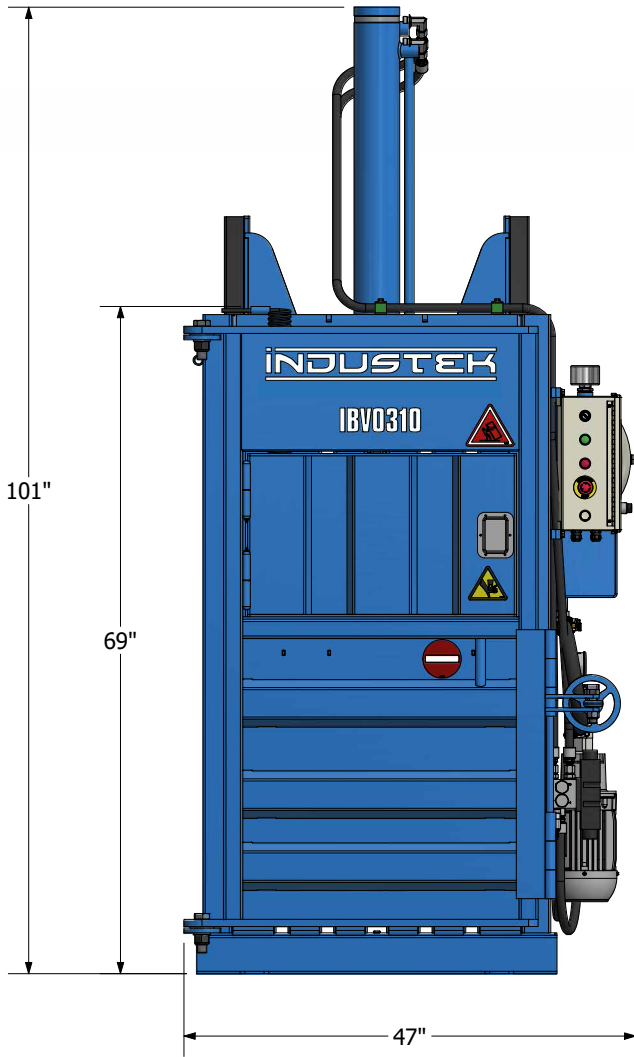
## BENEFITS

- Reduces the amount of transported waste
- Minimizes handling time
- Lowers transportation costs
- Clean, well-kept facilities promote good-neighborliness
- Reduces fire risks
- Decreases transport-related greenhouse gas emissions
- Meets the expectations of your eco-friendly employees and clients
- Enhancement of environmental awareness



# VERTICAL BALER

IBV0310



Unit overall dimensions	47" W x 37" D x 101" H
Unit weight	2 050 lb
Maximum force	31 400 lb
Operating force	22 600 lb
Ram pressure	31 psi
Motor	2 Hp 1800 rpm 600 v
Two-stage pump	1.5 GPM and 5.5 GPM
Operating pressure	1 800 psi
Maximum pressure	2 500 psi



**Cycle time**  
33 sec



**Feed opening**  
30" x 17"



**Bale size**  
30" W x 24" D x 32" H



**Bale approximate weight**  
300 lb



**Waste type**  
Cardboard and plastic

Industek reserves the right to update or modify some of the specifications included in this document, in order to improve product performance.

1 844 352-9222 • [industek.com](http://industek.com)