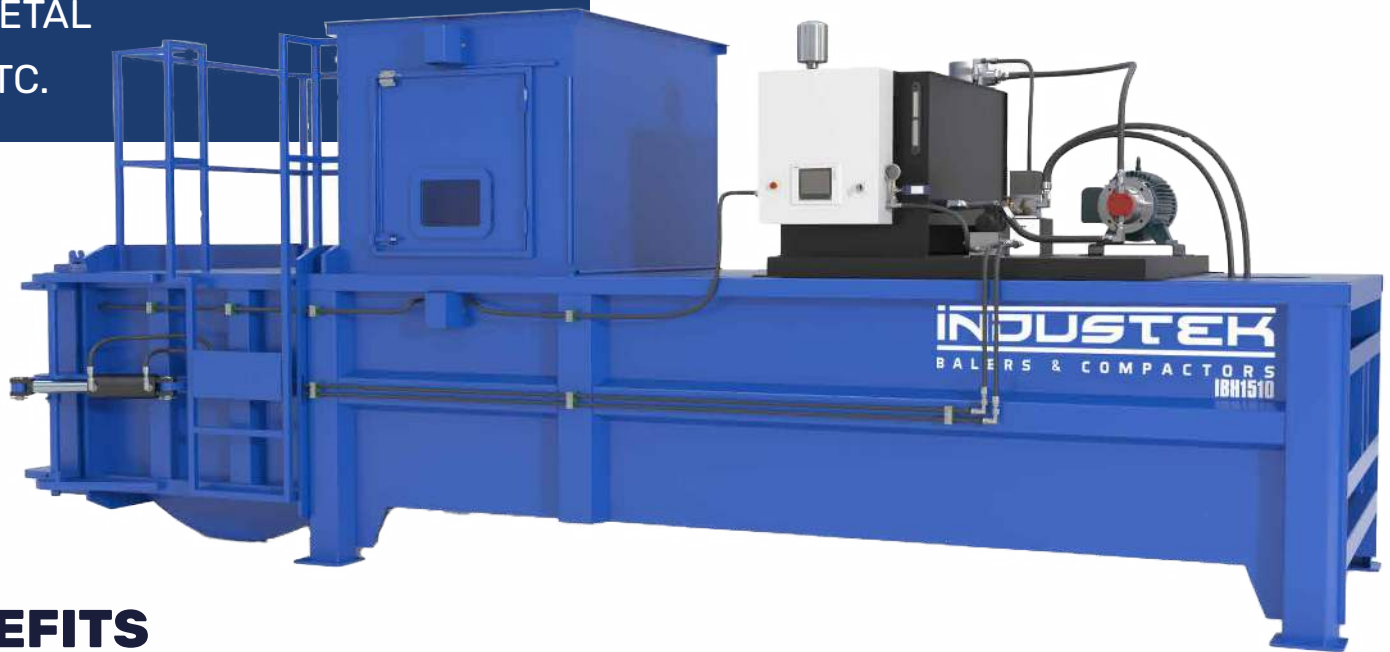


FUNCTION

BALING OF YOUR RECYCLABLE MATERIALS:

- CARDBOARD
- PLASTIC
- METAL
- ETC.

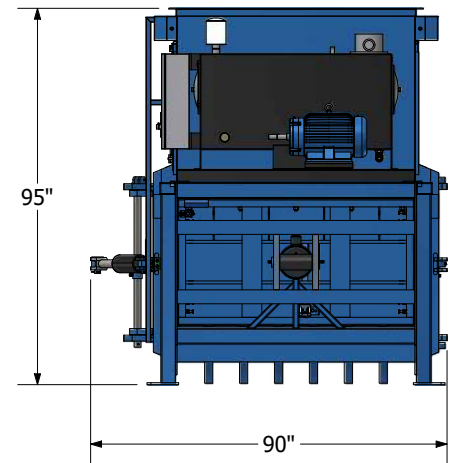
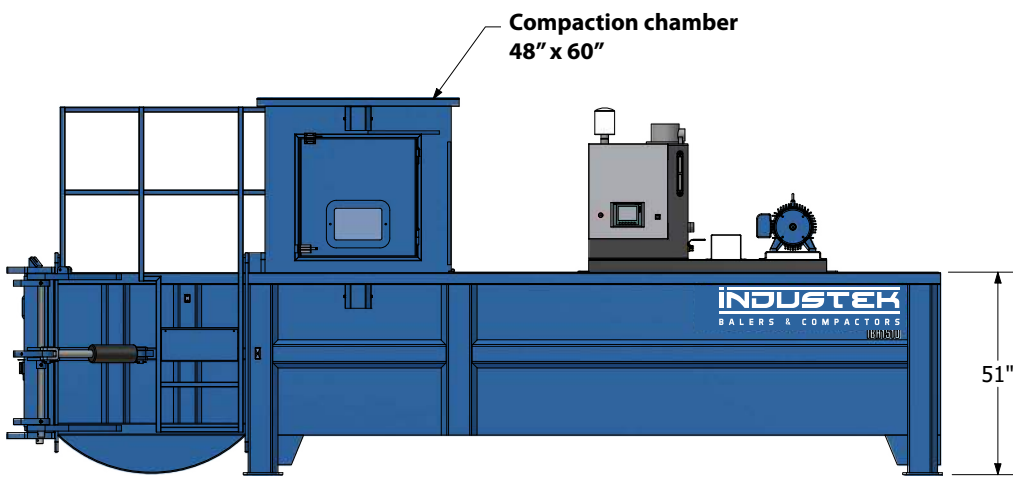
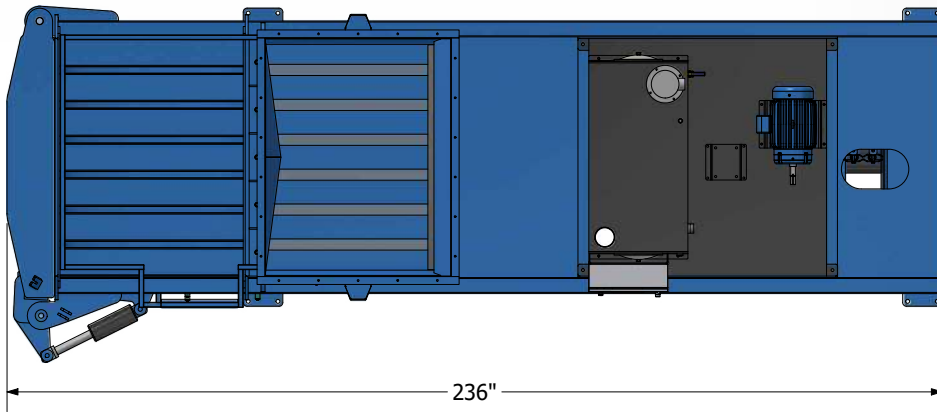


BENEFITS

- Reduces the amount of transported waste
- Minimizes handling time
- Lowers transportation costs
- Clean, well-kept facilities promote good-neighborliness
- Reduces fire risks
- Decreases transport-related greenhouse gas emissions
- Meets the expectations of your eco-friendly employees and clients
- Enhancement of environmental awareness and responsibility improves corporate image

HORIZONTAL BALER

IBH1510



Unit overall dimensions	237" W x 90" D x 95" H
Unit weight	18 500 lb
Maximum force	150 000 lb
Operating force	134 800 lb
Operating pressure	75 psi
Motor	25 Hp 1800 rpm 600 v
Pump	12 to 40 GPM
Operating pressure	3 900 psi
Maximum pressure	4 100 psi



Cycle time
46 sec



Feed opening
60" x 48"



Bale size
60" W x 30" D x 48" H



Bale approximate weight
1 500 lb



Waste type
Cardboard and plastic

Industek reserves the right to update or modify some of the specifications included in this document, in order to improve product performance.

1 844 352-9222 • industek.com