

FUNCTION

**REDUCE THE FREQUENCY
COLLECTIONS OF YOUR
DRY MATERIALS**

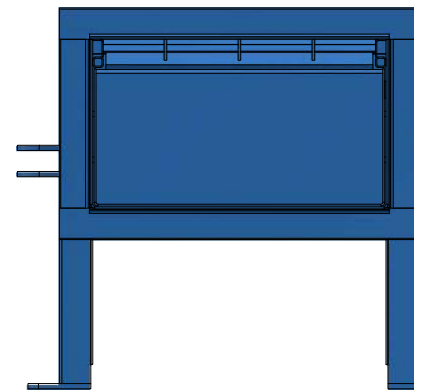
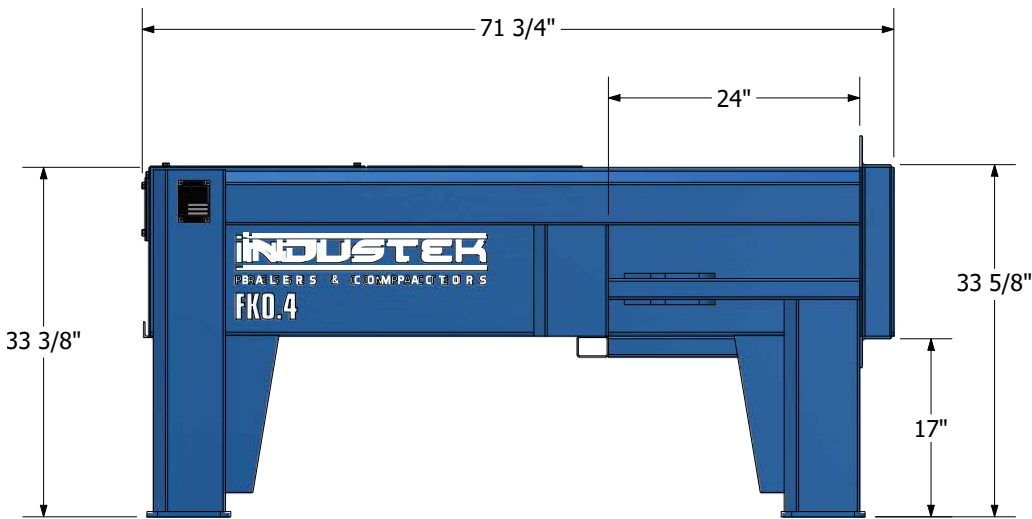
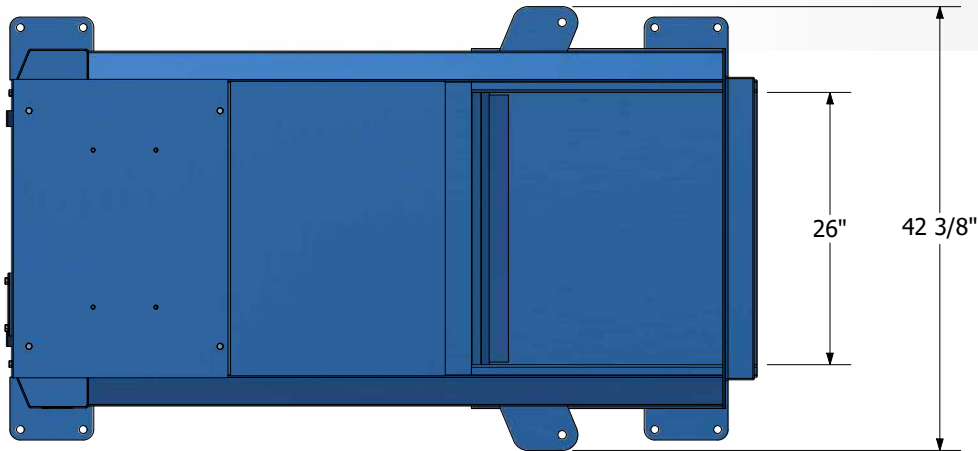


BENEFITS

- Reduces the amount of transported waste
- Minimizes handling time
- Lowers transportation costs
- Clean, well-kept facilities promote good-neighborliness
- Reduces fire risks
- Decreases transport-related greenhouse gas emissions
- Meets the expectations of your eco-friendly employees and clients
- Enhancement of environmental awareness and responsibility improves corporate image

MIMI STATIONARY COMPACTOR

FKO.4



Compaction chamber volume	0.4 yd ³
Unit weight	200 lb
Motor	3 Hp 1800 rpm 600 v
Pump	3 GPM
Operating pressure	1 800 psi
Maximum pressure	2 100 psi
Penetration	8"



Cycle time
36 sec



Feed opening
26" x 24"



Waste type
Dry

Industek reserves the right to update or modify some of the specifications included in this document, in order to improve product performance.

1 844 352-9222 • industek.com